

BLUESTONE DESIGN PROJECT

PORCELAIN PERFORMANCE DATA

COLORED BODY PORCELAIN - Rectified Monocaliber

PHYSICAL PROPERTIES	TEST ASTM	NORTH AMERICAN STANDARD A137.1- / A137.3-	PORCELAIN TILES (REF A137.1) RESULTS	PORCELAIN GRIP TILES (REF A137.1) RESULTS	PORCELAIN PAVERS FRONTIERO (REF A137.3) RESULTS	PORCELAIN VENEERS VENEER WORLD (REF A137.1) RESULTS
Water absorption *	C373	≤ 0.5%	COMPLY WITH ANSI A137.1	COMPLY WITH ANSI A137.1	COMPLY WITH ANSI A137.3	COMPLY WITH ANSI A137.1
DCOF Average dynamic coefficient of friction **	ANSI A.326.3	As reported	IW - Interior, Wet	EW - Exterior, Wet	EW - Exterior, Wet	NOT APPLICABLE
Skid Resistance	EN 16165 (EX DIN 51097)	-	-	A+B+C	A+B+C	NOT APPLICABLE
	EN 16165 (EX DIN 51130)	-	-	R11	R11	
Resistance to freeze/thaw cycling *	C1026	As reported	RESISTANT	RESISTANT	RESISTANT	RESISTANT
Resistance to thermal shock	C484	As reported	RESISTANT	RESISTANT	RESISTANT	RESISTANT
Warpage (edge)	C485	Warpage ± 0.4% or ± 0.05 in	COMPLY WITH ANSI A137.1	COMPLY WITH ANSI A137.1	COMPLY WITH ANSI A137.3	COMPLY WITH ANSI A137.1
Warpage (diagonal)	C485	Warpage ± 0.4% or ± 0.07 in	COMPLY WITH ANSI A137.1	COMPLY WITH ANSI A137.1	COMPLY WITH ANSI A137.3	COMPLY WITH ANSI A137.1
Wedging	C502	± 0.25% or ± 0.03 in	COMPLY WITH ANSI A137.1	COMPLY WITH ANSI A137.1	COMPLY WITH ANSI A137.3	COMPLY WITH ANSI A137.1
Chemical resistance	C650	As reported	UNAFFECTED	UNAFFECTED	UNAFFECTED	UNAFFECTED
Resistance to stain	C1378	As reported	UNAFFECTED	UNAFFECTED	UNAFFECTED	UNAFFECTED
Thickness	C499	Range: 0.04 in	COMPLY WITH ANSI A137.1	COMPLY WITH ANSI A137.1	COMPLY WITH ANSI A137.3	COMPLY WITH ANSI A137.1
Breaking strength	C648	250 lbf or greater	COMPLY WITH ANSI A137.1	COMPLY WITH ANSI A137.1	-	COMPLY WITH ANSI A137.1
	C1050	2000 lbf	-	-	COMPLY WITH ANSI A137.3	-
Module of Rupture	C1050	5000 psi	-	-	COMPLY WITH ANSI A137.3	-

- * Average values referred to our production and related to the matt finish of the product.
- ** As far as values relating to the matt finish of the product and to tests carried out by certified external laboratories whose results are available upon request at Headoffice, we are willing to check the lot you are interested in purchasing.
- Be sure to use tiles belonging to the same caliber.
- Test results are available on request.
- The information provided can be subject to change. Please refer to lcsusa.com for the latest, most accurate and up-to-date information.

LEARN MORE ABOUT

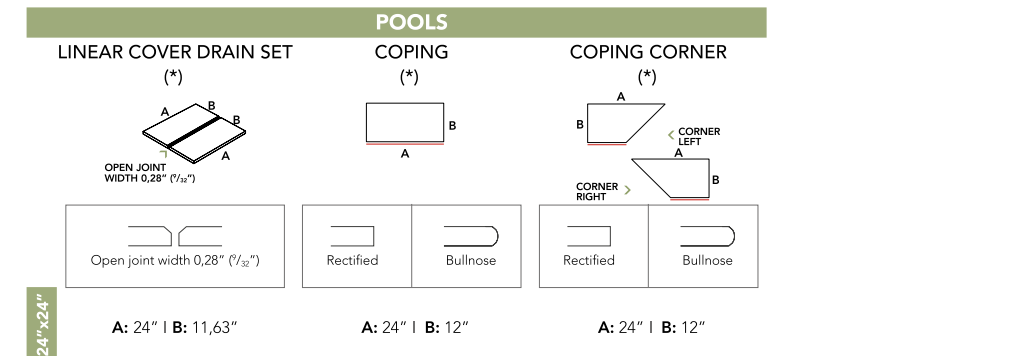
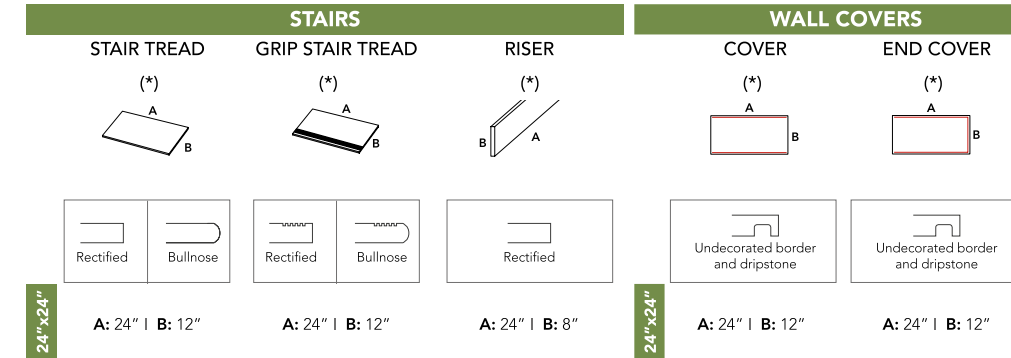


outdoor.landmarkceramics.com

BLUESTONE DESIGN PROJECT

TRIM PIECES

COLORED BODY PORCELAIN PAVERS - Rectified Monocaliber



(*) Available in standard version (with undecorated borders).



BLUESTONE DESIGN PROJECT

COLORED BODY PORCELAIN PAVERS - Rectified Monocaliber

M.P.D. BIG

<p>M.P.D. BIG ONE*</p> <p>Module % 24"x48" = 40% 24"x24" = 20% MIX = 40% **</p>	<p>M.P.D. BIG FIVE*</p> <p>Module % HP1 24"x24" = 33% MIX = 67% **</p> <p>Module % HP2 24"x36" = 33% 12"x24" = 17% MIX = 40% **</p>	<p>M.P.D. BIG NINE*</p> <p>Module % 24"x48" = 58% 12"x48" = 14% 24"x24" = 14% 12"x24" = 7% 12"x12" = 7%</p>	<p>M.P.D. BIG THIRTEEN*</p> <p>Module % 24"x48" = 62% 12"x48" = 30% 12"x12" = 8%</p>	<p>M.P.D. BIG SEVENTEEN*</p> <p>Module % 24"x48" = 33.5% 12"x48" = 33.5% 24"x24" = 17% 12"x24" = 8% 12"x12" = 8%</p>
<p>M.P.D. BIG TWO*</p> <p>Module % 24"x48" = 50% MIX = 50% **</p>	<p>M.P.D. BIG SIX*</p> <p>Module % HP1 24"x24" = 45% 12"x12" = 11% MIX = 44% **</p> <p>Module % HP2 24"x36" = 33% 24"x24" = 45% 12"x24" = 11% 12"x12" = 11%</p>	<p>M.P.D. BIG TEN*</p> <p>Module % 24"x48" = 58% 12"x48" = 14% 24"x24" = 14% 12"x24" = 14%</p>	<p>M.P.D. BIG FOURTEEN*</p> <p>Module % 24"x48" = 67% 12"x48" = 33%</p>	<p>M.P.D. BIG EIGHTEEN*</p> <p>Module % 24"x48" = 50% 12"x48" = 50%</p>
<p>M.P.D. BIG THREE*</p> <p>Module % 24"x48" = 40% 24"x24" = 20% MIX = 40% **</p>	<p>M.P.D. BIG SEVEN*</p> <p>Module % HP1 24"x24" = 31% 12"x12" = 8% MIX = 61% **</p> <p>Module % HP2 24"x36" = 46% 24"x24" = 31% 12"x24" = 15% 12"x12" = 8%</p>	<p>M.P.D. BIG ELEVEN*</p> <p>Module % 24"x48" = 31% 12"x48" = 15% 24"x24" = 19% 12"x24" = 15% 12"x12" = 8%</p>	<p>M.P.D. BIG FIFTEEN*</p> <p>Module % 24"x48" = 38% 12"x48" = 19% 24"x24" = 19% 12"x24" = 15% 12"x12" = 5%</p>	<p>M.P.D. BIG NINETEEN*</p> <p>Module % 24"x48" = 38% 24"x24" = 19% 12"x24" = 5% MIX = 38% **</p>
<p>M.P.D. BIG FOUR*</p> <p>Module % 24"x48" = 28.6% 24"x24" = 14.3% MIX = 57.1% **</p>	<p>M.P.D. BIG EIGHT*</p> <p>Module % HP1 24"x24" = 40% 12"x12" = 7% MIX = 53% **</p> <p>Module % HP2 24"x36" = 40% 24"x24" = 40% 12"x24" = 13% 12"x12" = 7%</p>	<p>M.P.D. BIG TWELVE*</p> <p>Module % 24"x48" = 22% 12"x48" = 11% 24"x24" = 22% 12"x24" = 11%</p>	<p>M.P.D. BIG SIXTEEN*</p> <p>Module % 24"x48" = 31% 12"x48" = 15.5% 24"x24" = 18% 12"x24" = 23% 12"x12" = 15%</p>	<p>M.P.D. BIG TWENTY*</p> <p>Module % HP1 24"x24" = 18% 12"x12" = 4% MIX = 78% **</p> <p>Module % HP2 24"x36" = 52% 24"x24" = 18% 12"x24" = 26% 12"x12" = 4%</p>

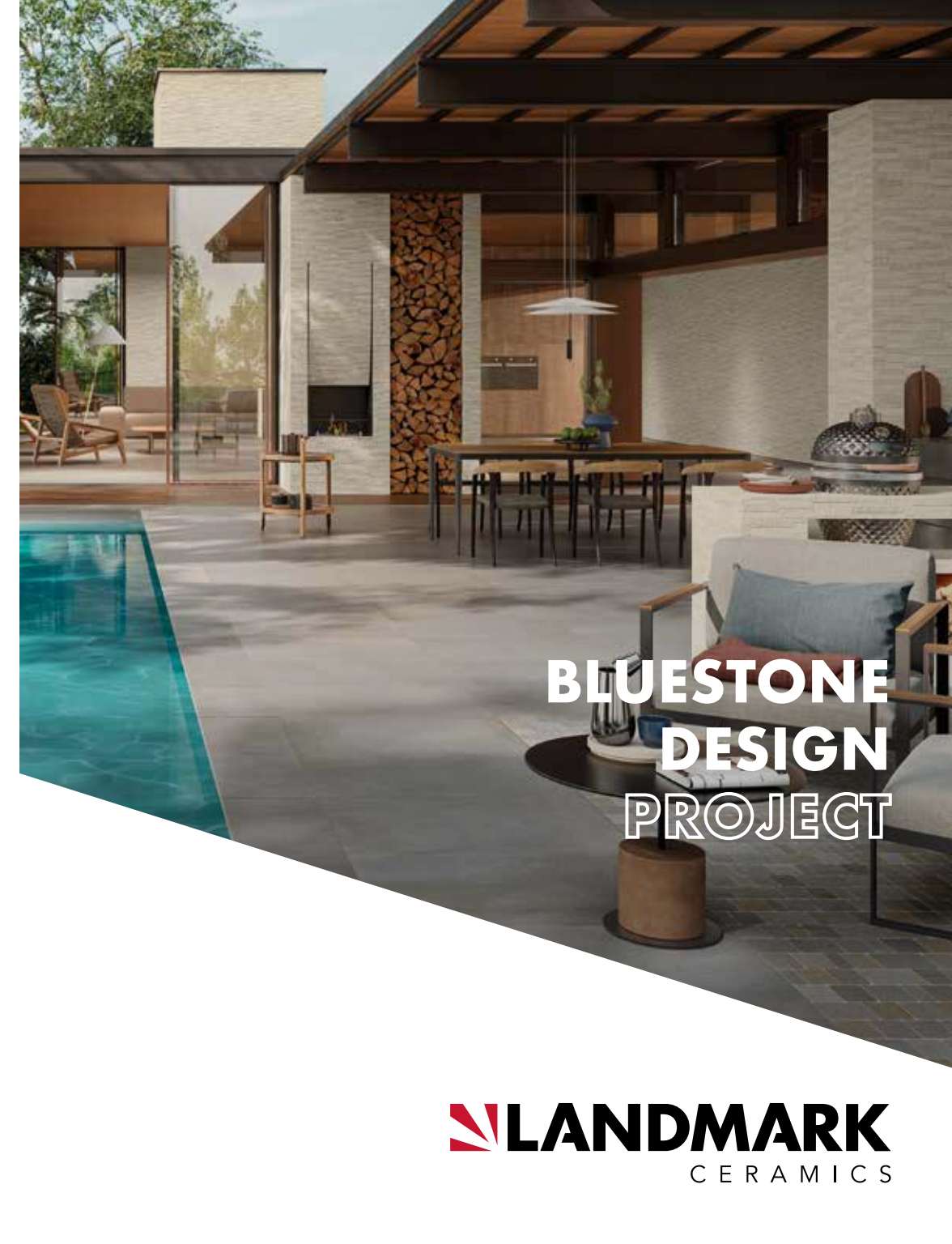
M.P.D. SMALL

<p>M.P.D. SMALL ONE*</p> <p>Module % 12"x24" = 67% 12"x12" = 33%</p>	<p>M.P.D. SMALL FIVE*</p> <p>Module % 24"x24" = 57% 12"x24" = 29% 12"x12" = 14%</p>	<p>M.P.D. SMALL NINE*</p> <p>Module % 24"x24" = 50% 12"x24" = 25% 12"x12" = 25%</p>
<p>M.P.D. SMALL TWO*</p> <p>Module % 12"x24" = 80% 12"x12" = 20%</p>	<p>M.P.D. SMALL SIX*</p> <p>Module % 24"x24" = 33% 12"x24" = 50% 12"x12" = 17%</p>	<p>M.P.D. SMALL TEN*</p> <p>Module % 12"x24" = 75% 12"x12" = 25%</p>
<p>M.P.D. SMALL THREE*</p> <p>Module % 24"x24" = 50% 12"x24" = 50%</p>	<p>M.P.D. SMALL SEVEN*</p> <p>Module % 24"x24" = 57% 12"x24" = 29% 12"x12" = 14%</p>	<p>M.P.D. SMALL ELEVEN*</p> <p>Module % 24"x24" = 44% 12"x24" = 45% 12"x12" = 11%</p>
<p>M.P.D. SMALL FOUR*</p> <p>Module % 24"x24" = 67% 12"x24" = 33%</p>	<p>M.P.D. SMALL FIFTEEN*</p> <p>Module % 24"x24" = 44% 12"x24" = 45% 12"x12" = 11%</p>	<p>M.P.D. SMALL NINETEEN*</p> <p>Module % 24"x24" = 67% 12"x24" = 33%</p>

- Available colors
- Thermal Bluestone Blue Select
 - Thermal Bluestone Full Color
 - Tumbled Bluestone
 - Bluestone Blue Select
 - Bluestone Full Color

* Modular products with 6 mm joint (approx 1/4").

** NOTE: The 24"x36" and 12"x24" sizes (MIX) are palletized together on the same single pallet containing the correct percentages of each size.



BLUESTONE DESIGN PROJECT



